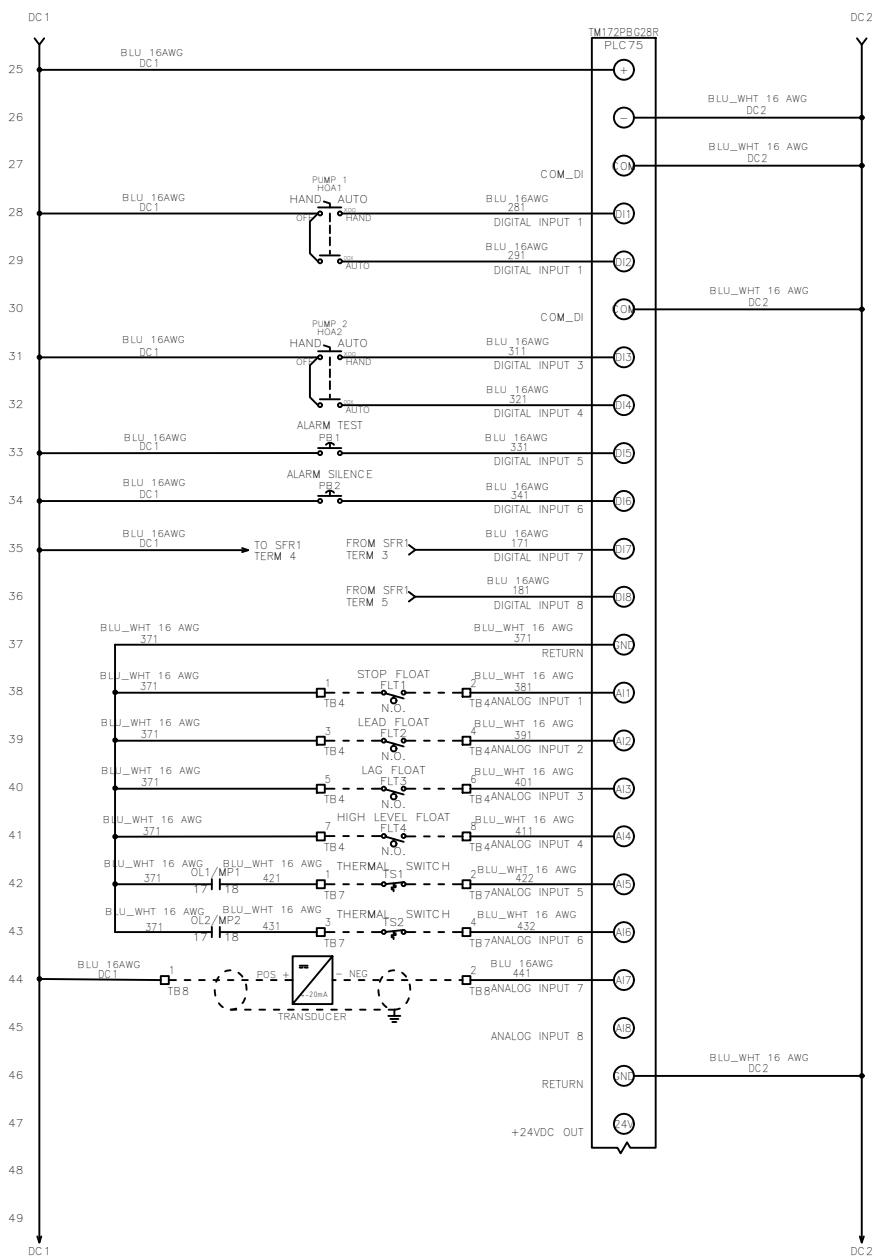
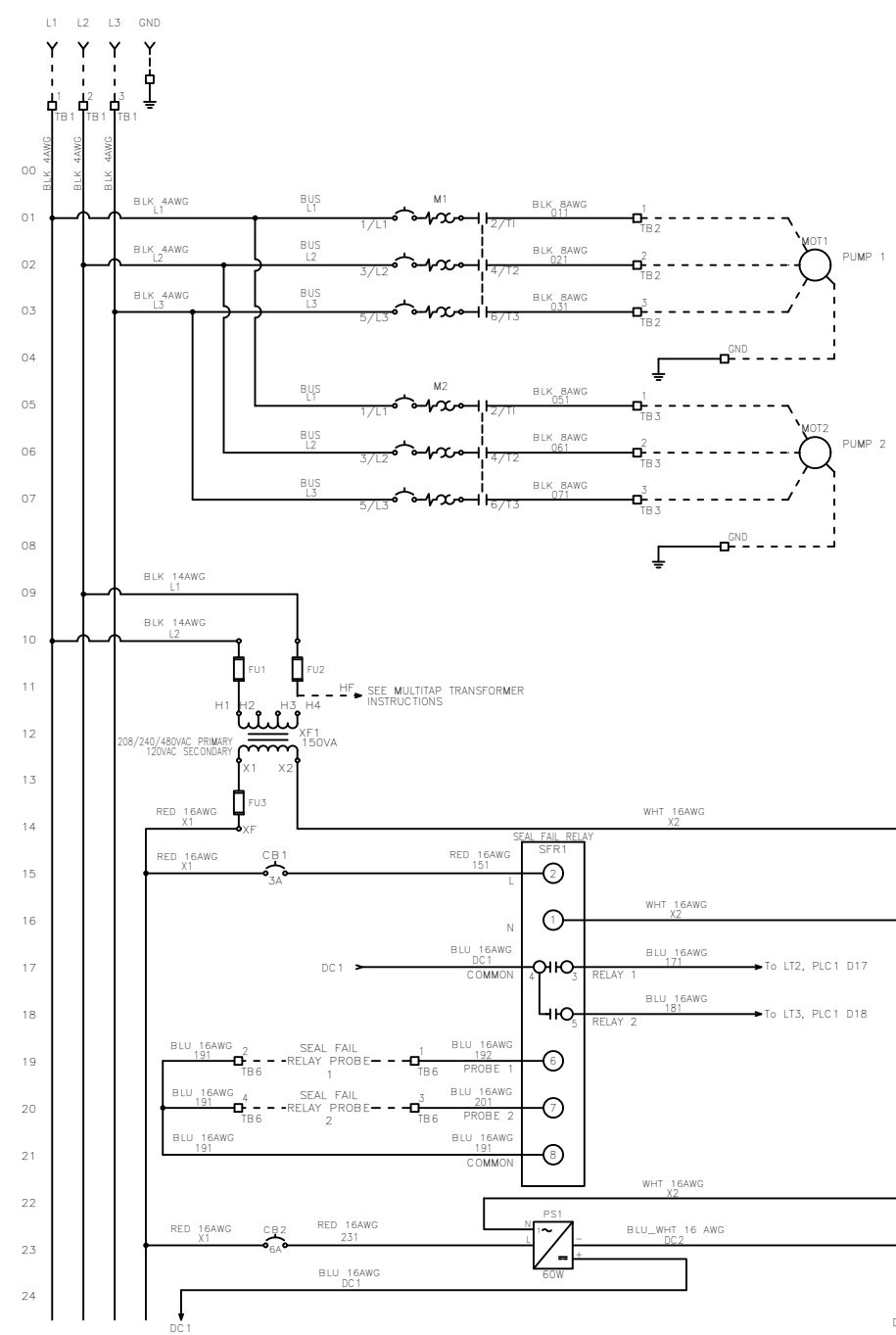


FILENAME: TRD-T33

REVDATE: 0321

REVISIONS				
ZONE	REV	DESCRIPTION	DATE	APPROVED
	A	UPDATED ETM1 & ETM2 WIRING	3/1/21	JED



MULTI-TAP TRANSFORMER:
 CONNECT FACTORY TAGGED WIRES TO APPROPRIATE TRANSFORMER VOLTAGE TAP. SEE BELOW FOR CONNECTIONS:
 FOR 208V OPERATION, CONNECT TO FUSE INPUT HF & TO TRANSFORMER TAP H2.
 FOR 240V OPERATION, CONNECT TO FUSE INPUT HF & TO TRANSFORMER TAP H3.
 FOR 480V OPERATION, CONNECT TO FUSE INPUT HF & TO TRANSFORMER TAP H4.

----- DASHED LINE INDICATES FIELD WIRING.
 USE COPPER CONDUCTORS ONLY.
 TEMPERATURE RATING OF CONDUCTORS IS TO BE:
 60°C (140°F) FOR UNDER 100A.
 75°C (167°F) FOR OVER 100A.
 BRANCH CIRCUIT PROTECTION SHALL BE PROVIDED BY THE INSTALLER: MUST BE SIZED ACCORDING TO PUMP/MOTOR MANUFACTURING SPECIFICATIONS.
 VERIFY CORRECT OPERATION OF CONTROL PANEL AFTER INSTALLATION IS COMPLETE.

FIELD WIRING TORQUE SPECS.		UL #:	DRAWN BY:	DATE:
TERMINAL BLOCK UT 2,5	5 IN-LB	E320866	JED	8/28/20
TERMINAL BLOCK UT 4	7 IN-LB			
TERMINAL BLOCK UT 6	15 IN-LB	TOTAL FLA:	LARGEST MOT. FLA	APPROVED BY:
TERMINAL BLOCK UT 10	15 IN-LB	66 A	32 A	KM
TERMINAL BLOCK UT 16	25 IN-LB	VOLTAGE:	PHASE:	THIS DRAWING CONTAINS PROPRIETARY INFORMATION AND SHALL NOT BE USED OR DISCLOSED WITHOUT PRIOR WRITTEN AUTHORIZATION.
TERMINAL BLOCK UT 35	30 IN-LB	208/240/480 VAC	3 PH	
TS1, TS2, J2 & J3 PCB	5 IN-LB	FREQUENCY:	ENCLOSURE TYPE:	
TRANSFORMER H1F, H2F & H3F	15 IN-LB	60 Hz	NEMA 3R	
DS1 VLS3P63-125 R2	45 IN-LB	SHORT CIRCUIT CURRENT:		
DS1 LK4JU3CN 100A	36 IN-LB	5KA RMS SYMMETRICAL		
DS1 LK4MU3N 200A	200 IN-LB	600V MAXIMUM		
M1/ M2 T1, T2 & T3	15 IN-LB			

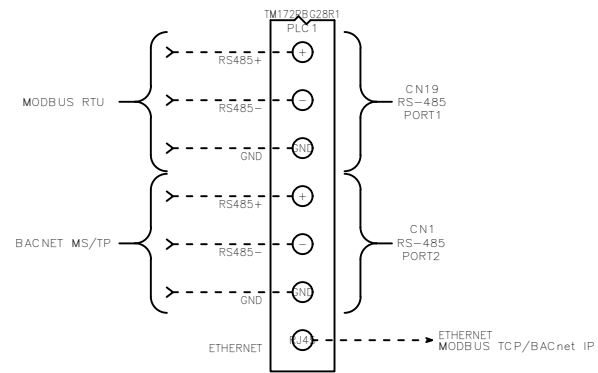
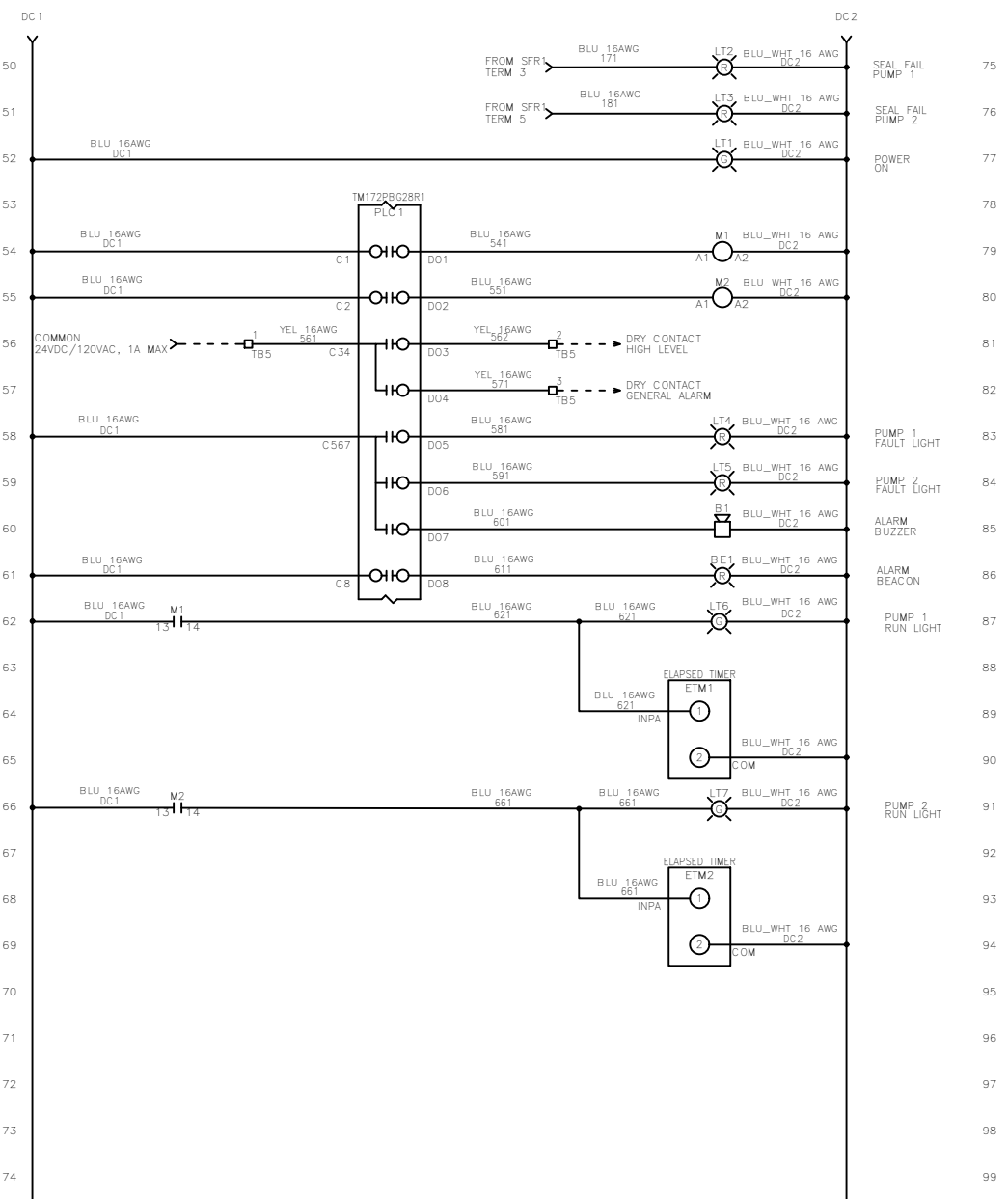


TITLE: TRD-T33 SCHEMATIC				
SIZE	DWG NO.	PART NO.	REV	
B	1838		TRD-T33	A
SCALE	NONE		SHEET	1 OF 2

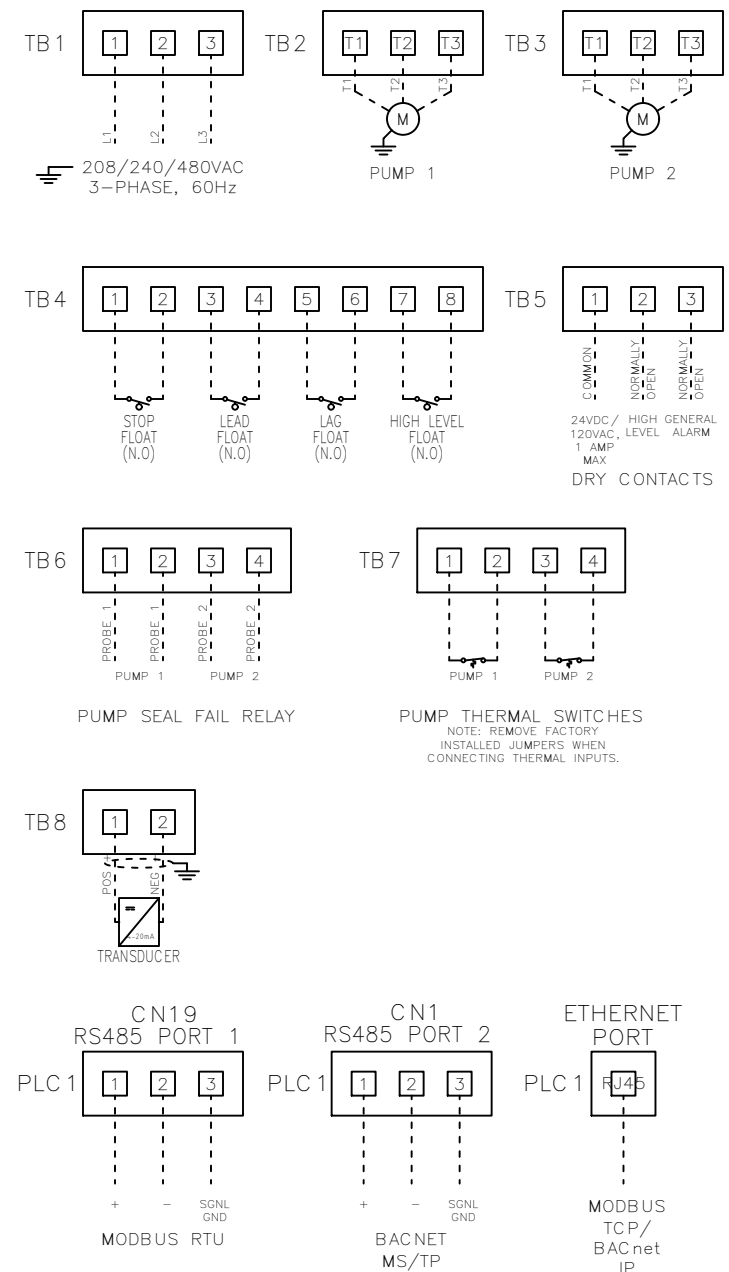
FRAME: TRD-T33

REVDATE: 0321

REVISIONS				
ZONE	REV	DESCRIPTION	DATE	APPROVED
	A	UPDATED ETM1 & ETM2 WIRING	3/1/21	JED



FIELD WIRING CONNECTIONS



MULTI-TAP TRANSFORMER:

CONNECT FACTORY TAGGED WIRES TO APPROPRIATE TRANSFORMER VOLTAGE TAP. SEE BELOW FOR CONNECTIONS:

FOR 208V OPERATION, CONNECT TO FUSE INPUT HF & TO TRANSFORMER TAP H2.

FOR 240V OPERATION, CONNECT TO FUSE INPUT HF & TO TRANSFORMER TAP H3.

FOR 480V OPERATION, CONNECT TO FUSE INPUT HF & TO TRANSFORMER TAP H4.

----- DASHED LINE INDICATES FIELD WIRING.

USE COPPER CONDUCTORS ONLY.

TEMPERATURE RATING OF CONDUCTORS IS TO BE: 60°C (140°F) FOR UNDER 100A. 75°C (167°F) FOR OVER 100A.

BRANCH CIRCUIT PROTECTION SHALL BE PROVIDED BY THE INSTALLER: MUST BE SIZED ACCORDING TO PUMP/MOTOR MANUFACTURING SPECIFICATIONS.

VERIFY CORRECT OPERATION OF CONTROL PANEL AFTER INSTALLATION IS COMPLETE.

FIELD WIRING TORQUE SPECS.

TERMINAL BLOCK UT 2,5	5 IN-LB
TERMINAL BLOCK UT 4	7 IN-LB
TERMINAL BLOCK UT 6	15 IN-LB
TERMINAL BLOCK UT 10	15 IN-LB
TERMINAL BLOCK UT 16	25 IN-LB
TERMINAL BLOCK UT 35	30 IN-LB
TS1, TS2, J2 & J3 PCB	5 IN-LB
TRANSFORMER H1F, H2F & H3F	15 IN-LB
TRANSFORMER H1, H2 & H3	10 IN-LB
DS1 VLS3P63-125 R2	45 IN-LB
DS1 LK4JU3CN 100A	36 IN-LB
DS1 LK4MU3N 200A	200 IN-LB
M1/ M2 T1, T2 & T3	15 IN-LB

UL #:	E320866
TOTAL FLA:	66 A
LARGEST MOT. FLA	32 A
VOLTAGE:	208/240/480 VAC
PHASE:	3 PH
FREQUENCY:	60 Hz
ENCLOSURE TYPE:	NEMA 3R
SHORT CIRCUIT CURRENT:	5KA RMS SYMMETRICAL 600V MAXIMUM

THIS DRAWING CONTAINS PROPRIETARY INFORMATION AND SHALL NOT BE USED OR DISCLOSED WITHOUT PRIOR WRITTEN AUTHORIZATION.



TITLE: TRD-T33 SCHEMATIC			
SIZE: B	DWG NO.: 1838	PART NO.:	REV: A
SCALE: NONE	SHEET: 2 OF 2		